

Harness order form HIGHLIGHT



Pagodenburgstr. 8, 81247 München ☎ 089-811 65 28 Fax -814 41 07
Branch CHARLY, Postfach 50, 87637 Seeg, ☎ 08364-1286, Fax -8426

I recognise and accept the accompanied conditions of payment and delivery and wish to order a hang glider harness HIGHLIGHT and the following options/accessories:
(cross where applicable)

€

- with camera pocket
- with wireless pocket
- attaching aid chute HELP
- if necessary, a suitable inner container for rescue system.....should be delivered, I shall insert the rescue system myself. the present rescue system, type.....should be fitted
- also packed should be packed and checked.
- Rescue system delivered with this order.
- when the harness is ready, I shall send my rescue system to be fitted.
- Please deliver the Highlight with new fitted CHARLY-Rescue system, type..... with rotor without rotor
- mail to address below pick-up
- Please send me a harness in Stock, Type/colour..... or alternative Type/colour.....as far as the size fits (call us and give your details).
- Please produce the harness **made to measure** in the following colours and materials as in colour pattern card - available on request)

- Highlight.....
- Designmat.
- Camera pocket.....
- Aid chute HELP.....
- Wireless pocket.....
- Made to measure.....
- Packsack.....
- Special inner cont.
- Resc. system fitted.....
- Resc. system packed.....
- Resc. syst. 2-year-Check.....
- new Resc. system.....
- Rotor incl. installation.....
- Packaging.....

Total:

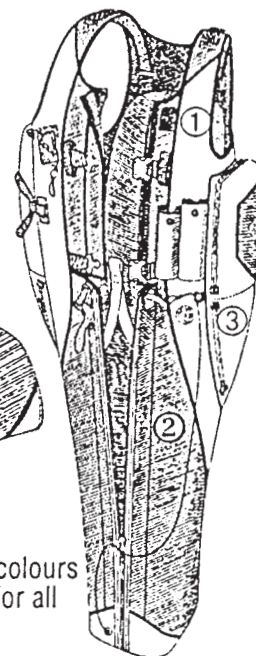
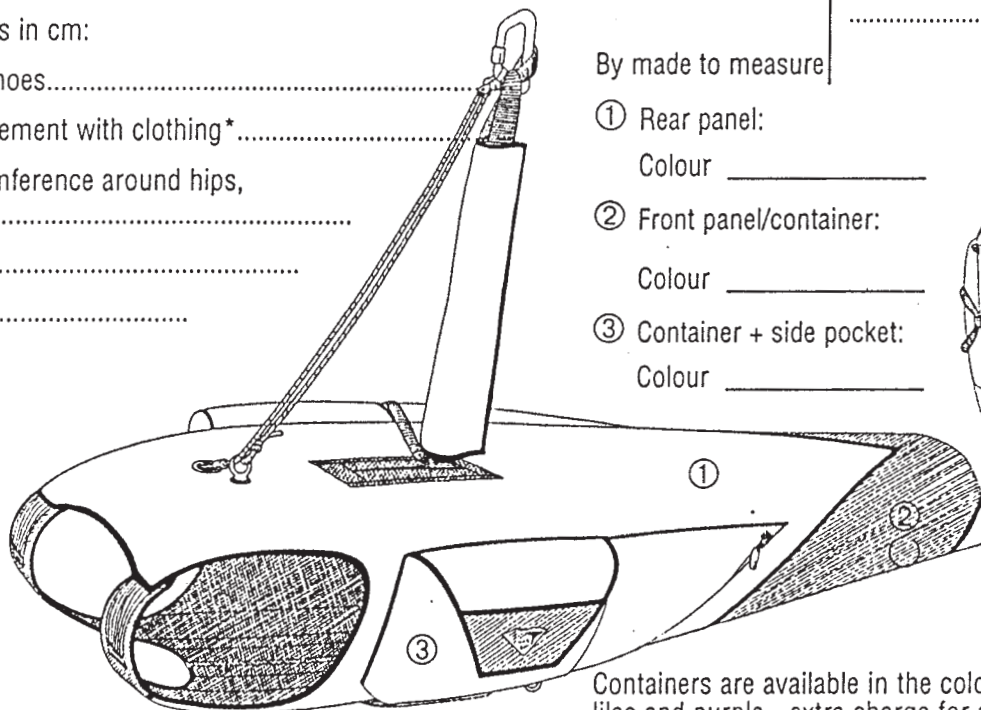
Advance Payment

Measurements in cm:

Height with shoes.....
Chest measurement with clothing*.....
Largest circumference around hips, stomach etc.....
Weight kg.....
Shoe size.....

By made to measure

- ① Rear panel:
Colour _____
- ② Front panel/container:
Colour _____
- ③ Container + side pocket:
Colour _____



Containers are available in the colours lilac and purple - extra charge for all other colours.

*Chest measurement with clothing/inhaled. An addition will be calculated by us!

| | |
|---|--|
| <p>Mailing address:</p> <p>We can inform you when your harness is ready</p> <p>Tel. priv. _____ Time _____</p> <p>Tel. busi _____ Time _____</p> <p>Fax _____</p> | <p>Date _____</p> <p>Signature: _____</p> <p>By dealers: <input type="checkbox"/> on Stock <input type="checkbox"/> for customer _____</p> |
|---|--|